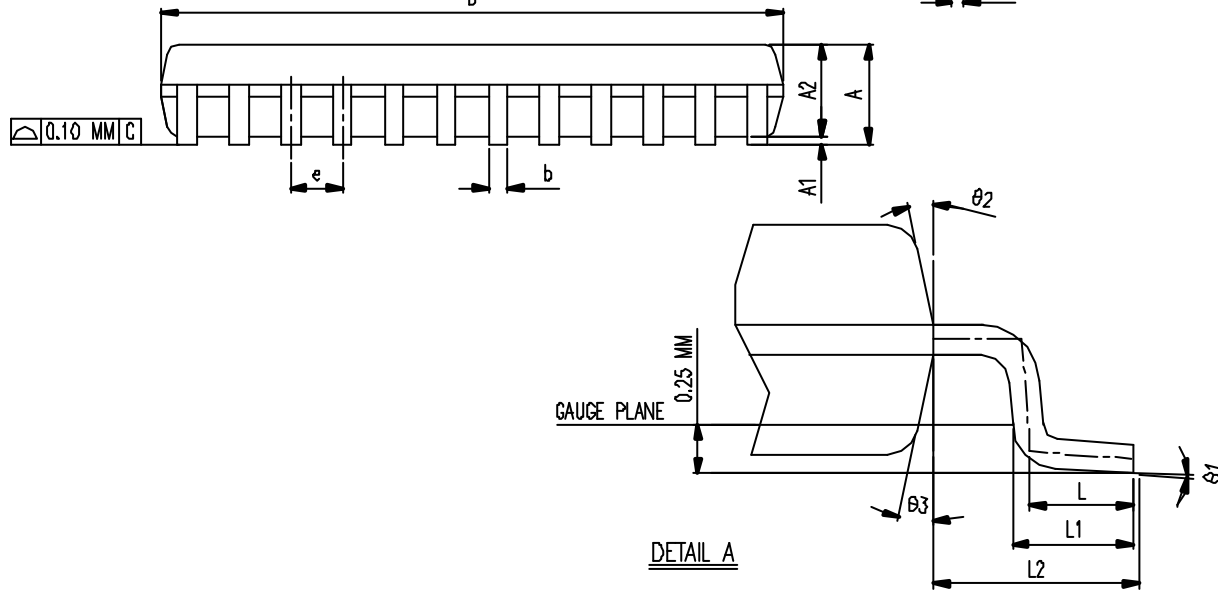


REV.	DESCRIPTION	BY	DATE
ORIG.	DRAWING ISSUE	SANDY CHEN	06.30.2003
A.	ADD $\theta 2$ & $\theta 3$ DIMENSIONS AND PIN NO.	SANDY CHEN	08.12.2003

SYMBOL	DIMENSION IN MM			DIMENSION IN INCH		
	MIN.	NOM.	MAX.	MIN.	NOM.	MAX.
A	1.15	1.25	1.45	0.045	0.049	0.057
A1	0.05	0.10	0.20	0.002	0.004	0.008
A2	1.05	1.15	1.25	0.041	0.045	0.049
D	7.70	7.80	7.90	0.303	0.307	0.311
E1	5.50	5.60	5.70	0.217	0.220	0.224
E	7.40	7.60	7.80	0.291	0.299	0.307
e	0.65 BASIC			0.026 BASIC		
L	0.30	0.50	0.70	0.012	0.020	0.028
L1	0.45	0.60	0.75	0.018	0.024	0.030
L2	1.00 REF			0.039 REF		
c	0.13	0.15	0.20	0.005	0.006	0.008
b	0.17	0.24	0.32	0.007	0.009	0.013
$\theta 1$	0°		10°	0°		10°
$\theta 2$	12° REF			12° REF		
$\theta 3$	12° REF			12° REF		
JEDEC						



*NOTES : DIMENSION " D " DOES NOT INCLUDE MOLD FLASH ,
 PROTRUSIONS OR GATE BURRS
 MOLD FLASH , PROTRUSIONS AND GATE BURRS SHALL
 NOT EXCEED 0.20 MM (0.008 INCH) PER SIDE.

CWT Chant World Technology Inc.		<input type="checkbox"/>	
TITLE TSSO PACKAGE OUTLINE 24L BODY WIDTH : 5.6MM (22DMIL)		XX.XXXX ±0.005 XX.XX ±0.035 XX.X ±0.05 XX ±0.1 XX ±0.2	ANGULAR ± ROUGHNESS SCALE
DESIGNED	SANDY CHEN 06.30.2003	UNIT	QTY
CHECKED	SANDY CHEN 08.12.2003	FILE NAME :	PBF024P3
APPROVED	C.C. CHD 08.12.2003	DWG. NO.:	CW-PB-001B